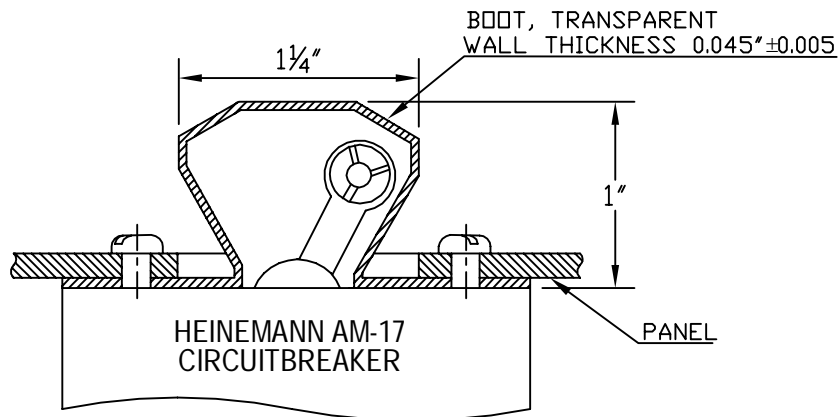
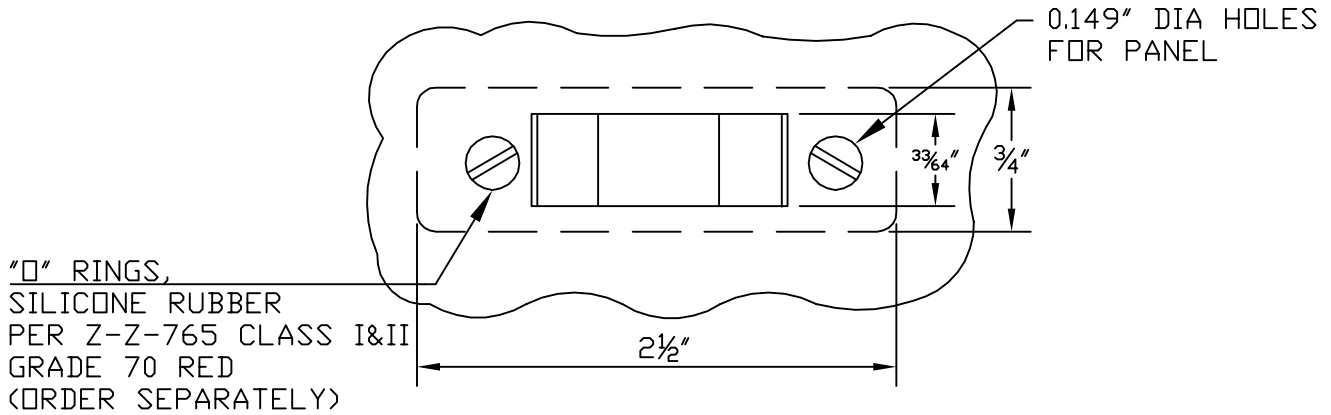


**SPECIFICATIONS**

**Material:** Boot: APM-RUBRGLAS (transparent silicone rubber) conforms to A-A-59588, Class III Grade 50.  
**Temperature Range:** HEXSEALS: -94°F to +400°F  
**Pressure Range:** Dust tight and splashproof.  
**Resistant to:** Salt spray, weather, sunlight, ozone, corona and most acids.  
**Shelf Life:** Excess of 25 years.  
**Operational Life:** 10,000 actuations, minimum.

**Notes:**  
 1. Mounting screws are supplied in lengths shown unless otherwise specified.  
 2. New sizes and types of RUBRGLAS-SEELS® are being added regularly. Please request other types and styles as required.  
**Agency Recognition:** Front Panel mounted Circuit Breaker Boots are UL-listed to UL Std. 50, types 1, 2, 3, 12, 12K, and 13. Back-of-Panel mounted Circuit Breaker boots are UL-listed to UL Std. 50, type 1. Also meet CSA standards.



**NOTES:**  
 ASSEMBLY CONSISTS OF 1 BOOT, MAT'L APM RUBRGLAS®, ORDER SEPARATELY,  
 2#6-32 APM SEELSKREWS® LENGTH=3/8.  
 UNLESS OTHERWISE NOTED TOLERANCES ARE ± 1/32

**BACK-OF-PANEL MOUNTING**

I	RUBBER MAT'L CHANGED, WALL THICKNESS TOL. 0.010 CHANGED TO 0.005, HOLE DIM. Ø0.147" CHANGED TO Ø0.149", DELETED TO "DESIGN TO MEET MIL-5423" and DELETED TO SEELSKREW INFORMATION	S. GOK	10.05.09	
H	CAD COMPUTER GENERATED		01.03.03	
G	ADDED NOTES	T.C.	09.16.68	
F	REDRAWN, ADDED NEW SPECS, CLEARED PRINT	NKS	08.09.67	
REV.	DESCRIPTION		DATE	
MAXIMUM AND MINIMUM MEASUREMENTS ARE STATED DIRECTLY ON EACH DIMENSION.	TITLE: CIRCUIT BREAKER BOOT, CIRCUIT BREAKER TOGGLE	ENG.	S. GOK	10.05.09
		DWN.	G.W.	11.29.61
		CHKD.	J. CELLA	10.05.09
MAT'L: RUBRGLASS® CONFORMS TO A-A-59588, CLIII	APM-HEXSEAL CORPORATION	SCALE	HE-1076	
FINISH: 50 DUROMETER TRANSPARENT		1:1	DWG. NO.	

THIS DRAWING COVERS PROPRIETARY ITEM AND IS THE PROPERTY OF THE APM-HEXSEAL CORPORATION. THIS DRAWING IS NOT TO BE COPIED OR USED WITHOUT THE WRITTEN APPROVAL OF AN OFFICER OF THE APM-HEXSEAL CORPORATION.